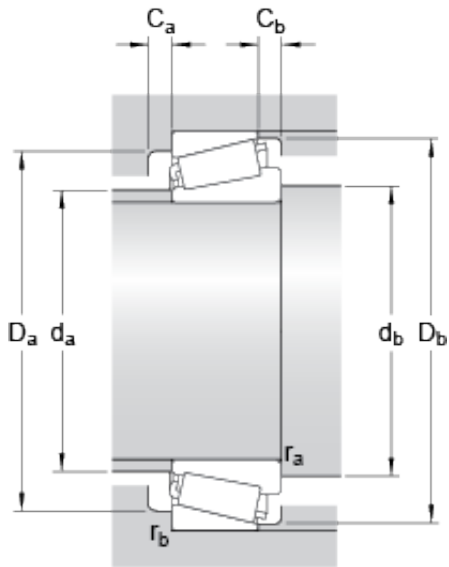




## China ucp205 Bearing Supplier



33021 Bearing 2D drawings and 3D CAD models

Free samples of 33021 skf fag bearing  
105\*160\*43MM

Bearing No. 33021

Dimension series	2DE
d	105 mm
D	160 mm
T	43 mm
d <sub>1</sub>	131.5 mm
B	43 mm
C	34 mm
r <sub>1,2</sub> min.	2.5 mm
r <sub>3,4</sub> min.	2 mm
a	30.783 mm
d <sub>a</sub> max.	117 mm
d <sub>b</sub> min.	117.5 mm
D <sub>a</sub> min.	145 mm
D <sub>a</sub> max.	149.5 mm
D <sub>b</sub> min.	153 mm
C <sub>a</sub> min.	7 mm
C <sub>b</sub> min.	9 mm
r <sub>a</sub> max.	2.5 mm
r <sub>b</sub> max.	2 mm
Basic dynamic load rating C	303 kN
Basic static load rating C <sub>0</sub>	430 kN
Fatigue load limit P <sub>u</sub>	45.5 kN
Reference speed	3200 r/min
Limiting speed	3800 r/min
Calculation factor e	0.28



## China ucp205 Bearing Supplier

Calculation factor Y	2.1
Calculation factor $Y_0$	1.1
Mass bearing	3.02 kg